

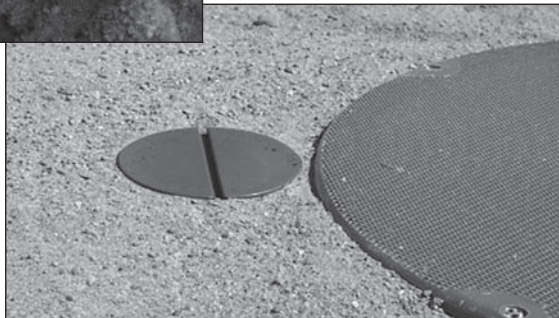
External Splice Box

Applications

Orenco's External Splice Box is engineered specifically for pressurized water and wastewater treatment systems and is especially suited for use in locations prone to high groundwater and other wet conditions. It attaches outside the access riser of an underground tank.



Attached outside the riser, Orenco's External Splice Box allows an electrician to access pump wiring without opening the riser lid.



The External Splice Box is molded of a UL (f1) rated PVC alloy. It has a UL Type 6P listing for prolonged submergence.



To Order

Call your nearest Orenco Systems®, Inc. Distributor. For nearest Distributor, call Orenco at 800-348-9843, or visit www.orenco.com and click on "Where to Buy."

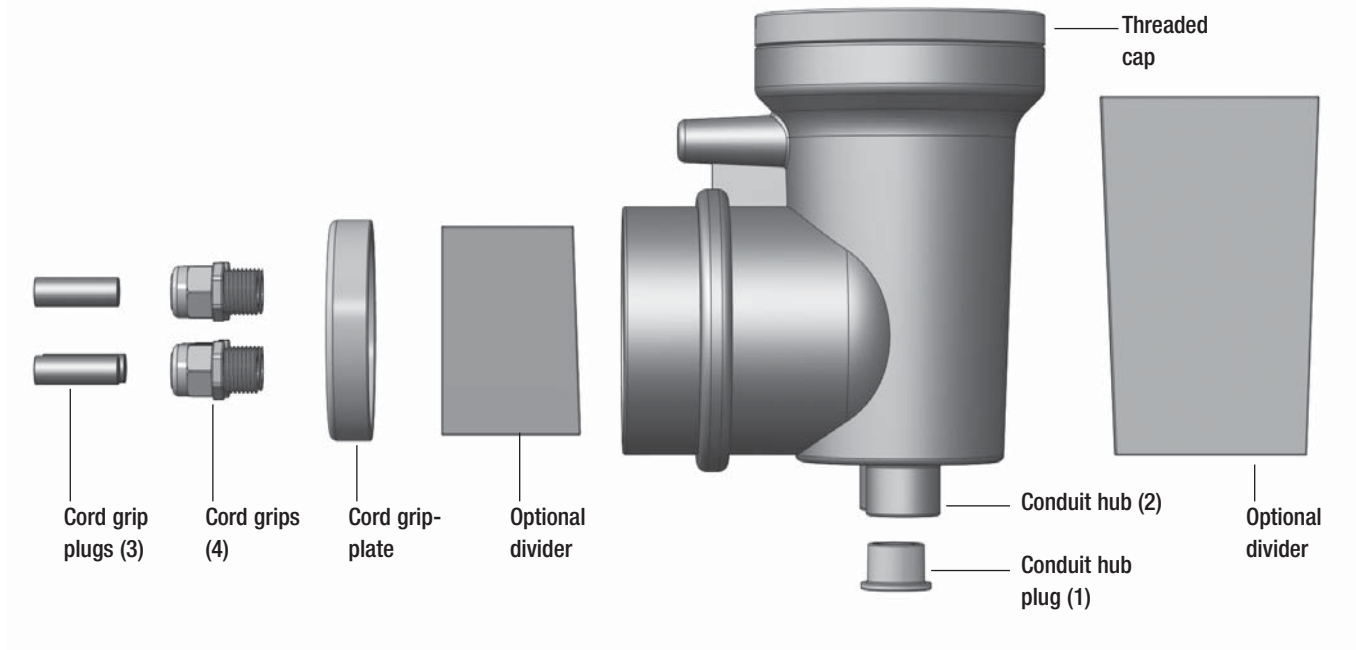
Standard Features & Benefits

- Watertight for prolonged submergence per UL listing (Type 6P)
- Attaches outside of access riser to allow inspection without opening lid of riser
- Allows more equipment or increased working room in riser, or allows use of a smaller-diameter riser
- Volume of 100 in.³ (1639 cm³) for easy wiring access and to accommodate multiple wiring configurations
- Bottom entry, so conduit or direct-bury cable always remains below minimum burial depth
- Molded of UL (f1) rated plastic, resistant to cold and UV exposure, suitable for external applications
- Includes a hole-cutting template to simplify installation and a 4-inch (100-mm) diameter grommet for the riser penetration
- Includes three cord grip plugs to seal unused cord grips

Optional Features & Benefits

- Can be supplied with divider plates that separate the splice box into two compartments, with two cord grips and one conduit hub in each compartment.
- Allows for two sets of wiring runs (Class 1 and either Class 2 or Class 3) for high and low voltage. Includes a PVC conduit plug for closing off the second conduit hub if not used.

External Splice Box Components



Physical Specifications

Volume of junction box	100 in. ³ (1639 cm ³)
Cord grips	4
Cord grip plugs	3
Cord diameters accommodated	0.170–0.470 in. (4.3–11.9 mm)
Conduit hubs	2
Conduit hub plug	1
Conduit sizes accommodated	¾ in., 1 in. (with coupling) ½ in. (with fitting or bell end)
Diameter of hole into riser (hole-cutting template provided)	5 in. (127 mm)

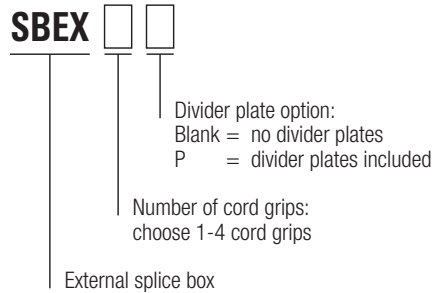
Materials of Construction

Splice box	PVC alloy
Cord grip	Nylon
Cord grip plugs	EPDM rubber
O-rings	Buna rubber
Conduit hub plug	PVC per ASTM D-1784
4-in. (100-mm) grommet*	EPDM

* Grommet not shown

Model Code for Ordering

External Splice Box



Distributed By: